

DESCRIPTION

The Chatter Pod is a revolutionary office furniture solution designed to provide individuals with personal privacy in a busy workspace, while also offering a sustainable alternative for conference, meeting, and collaboration spaces. The core concept revolves around utilizing environmentally friendly materials such as wood, PET acoustic panel and glass to significantly reduce carbon footprint and emissions compared to traditional metal or steel phone booths.

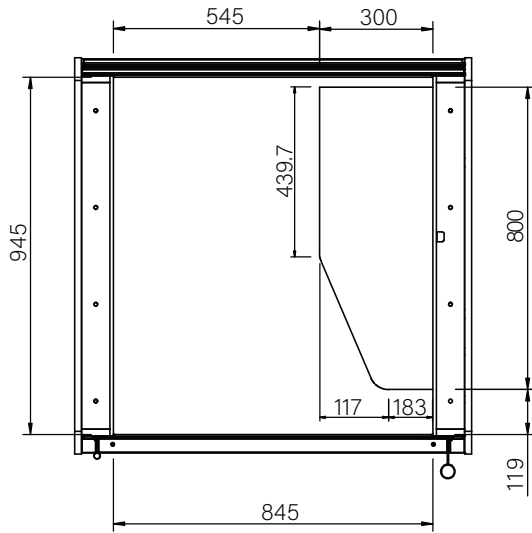


CHATTER POD

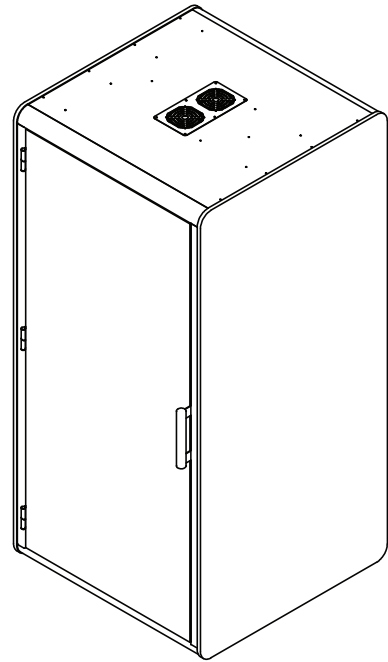
MATERIAL

- MDF board
- Glass
- Aluminum
- PET Acoustic Panel

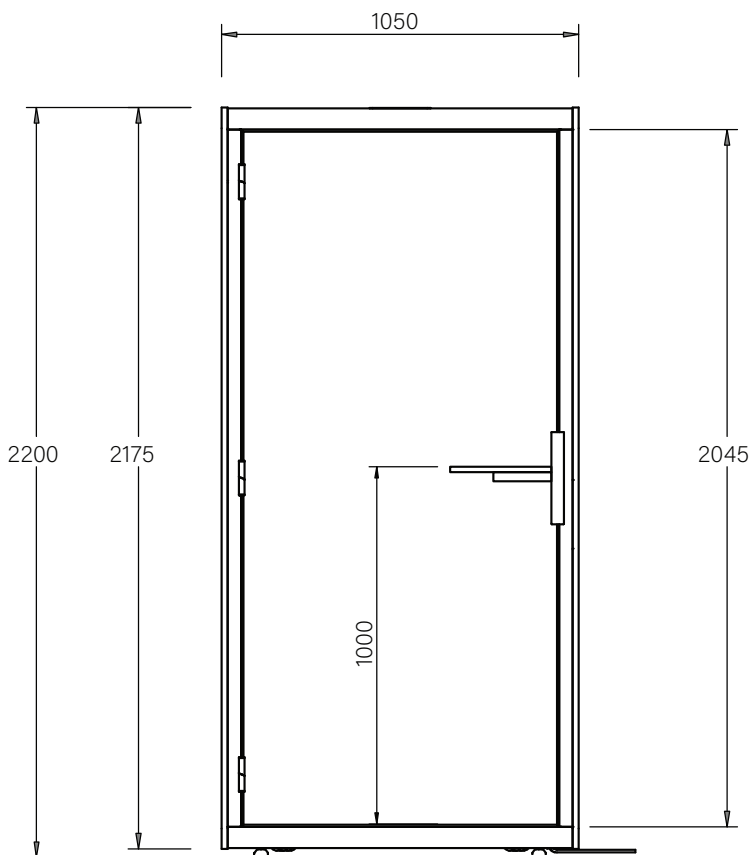
DIMENSION



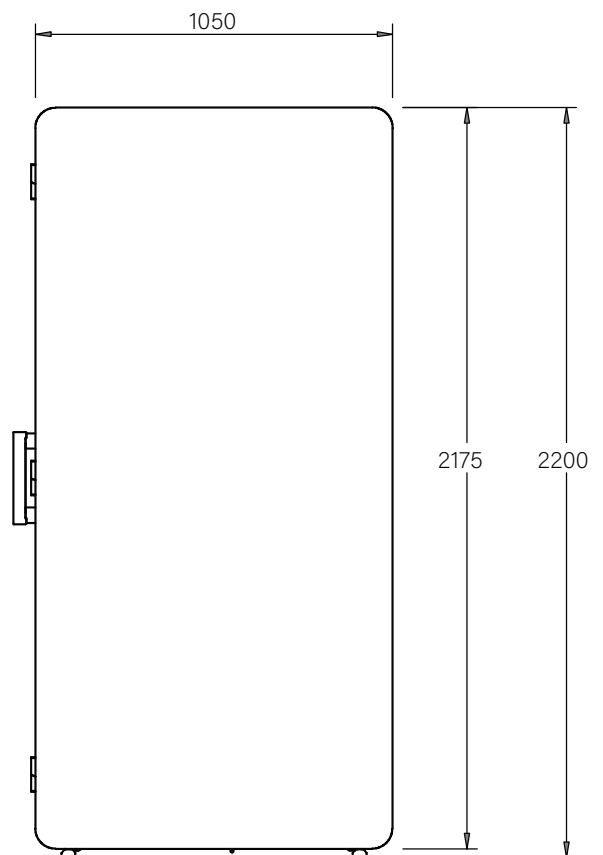
Top View



Isometric View



Front View

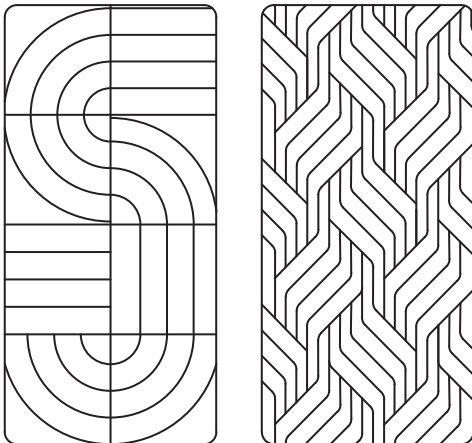


Back View

CHATTER POD



PET Pattern Design



Custom designs available.
Please check with us for details

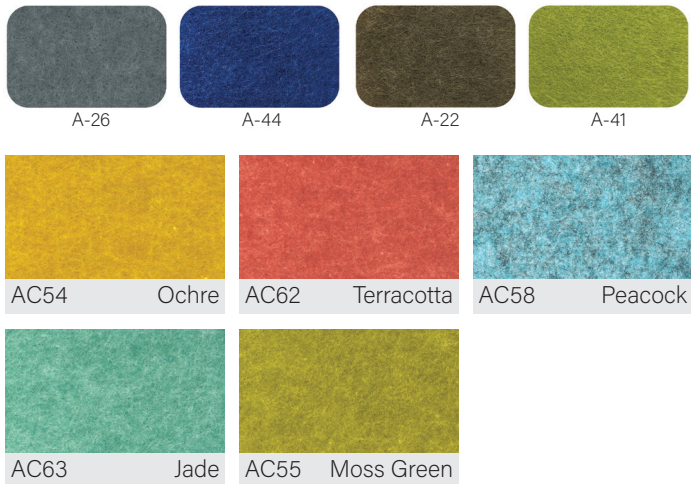
Optional Stool:

- PP yellow shelf
- Base in Matt Black



Made from recycled PET acoustic material

PET OPTIONS



Our PET is certified:



CHATTER POD

