

## DESCRIPTION

The Chatter Pod is a revolutionary office furniture solution designed to provide individuals with personal privacy in a busy workspace, while also offering a sustainable alternative for conference, meeting, and collaboration spaces. The core concept revolves around utilizing environmentally friendly materials such as wood, PET acoustic panel and glass to significantly reduce carbon footprint and emissions compared to traditional metal or steel phone booths.

### Ventilation & Comfort

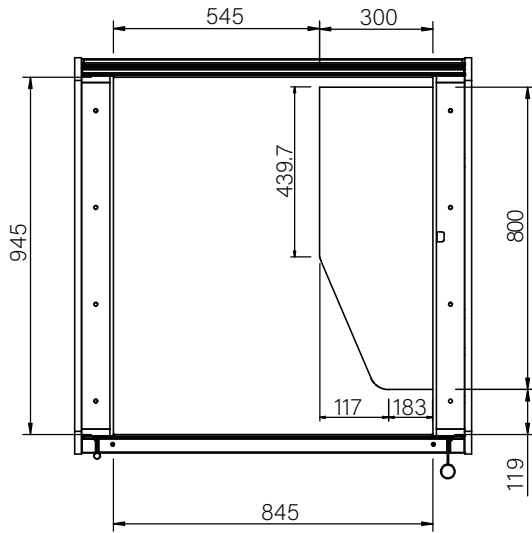
- Built-in quiet air circulation system for continuous airflow  
Optimized for comfortable use during extended meetings



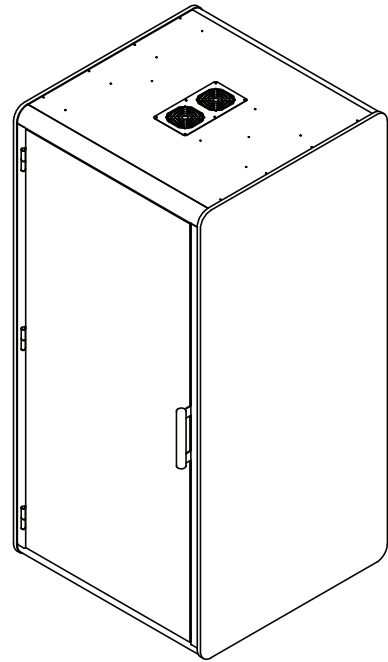
## MATERIAL

- MDF board
- Glass
- Aluminum
- PET Acoustic Panel

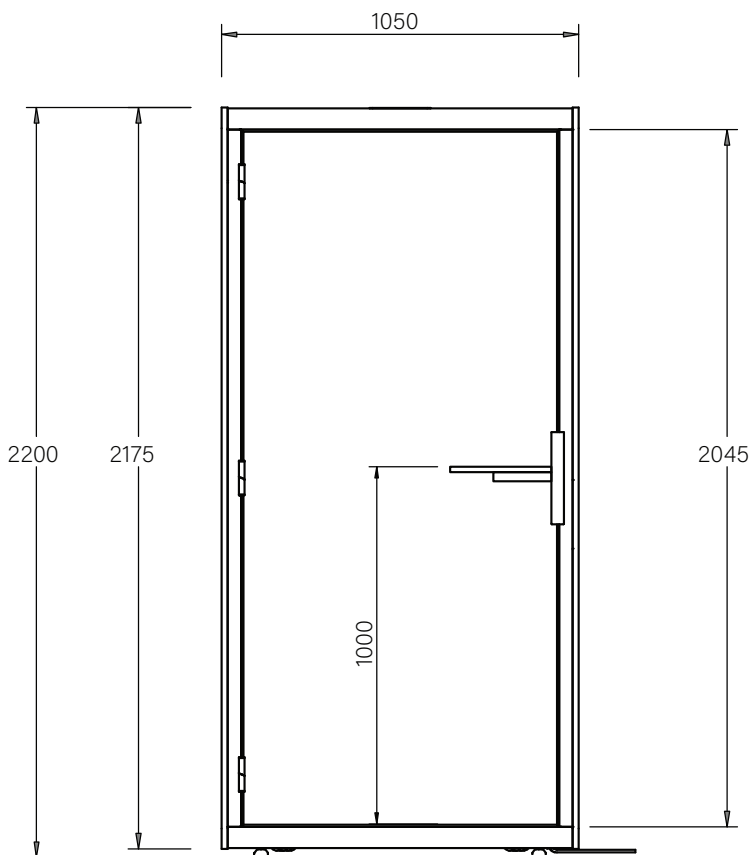
## DIMENSION



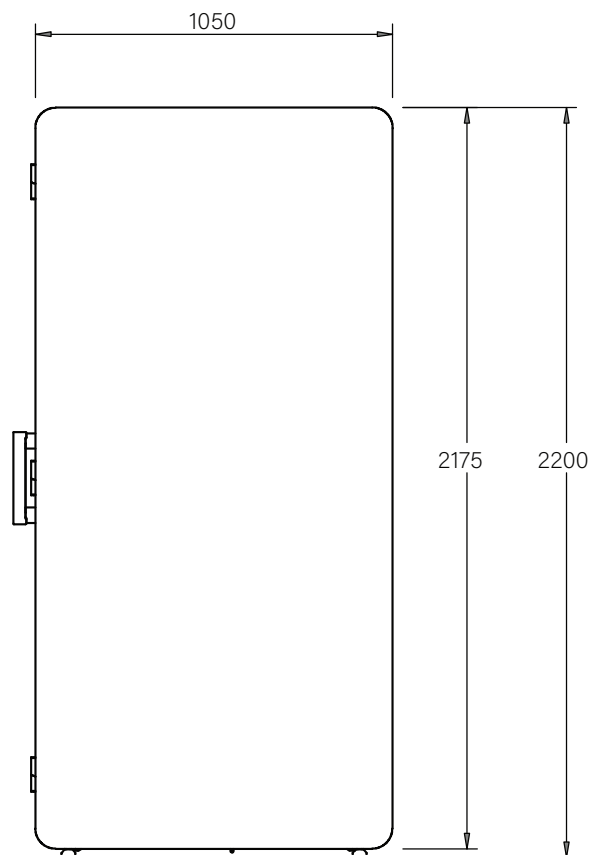
Top View



Isometric View



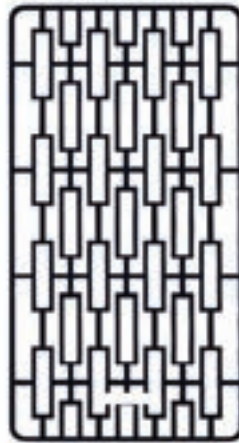
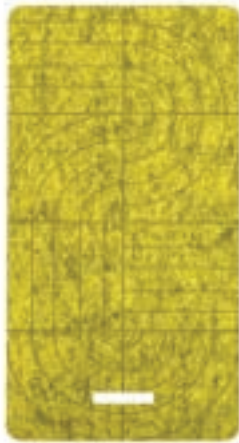
Front View



Back View



**4 PET  
Pattern Design**



**4 Color  
Selection**



A-22



A-41



A-26



A-44

**Stool**

- PP yellow shell
- Base in Matt Black

**Power**

GPO & USB A/C

