

DESCRIPTION

Chatter Pod X is the natural evolution of the Chatter Pod phone booth series—designed for collaboration without sacrificing privacy. Built for focused conversations, quick meetings, and hybrid work moments, Chatter Pod X comfortably accommodates 2-4 people in a compact, acoustically controlled environment.



Recycleable
Materials



Eco-friendly
Material



Flame Retardant

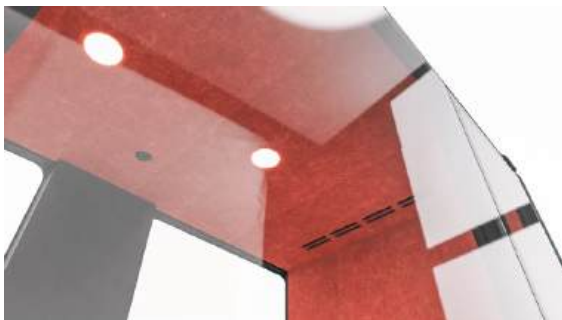


Sound
Absorbing



Durable





Ventilation & Comfort

- Built-in quiet air circulation system for continuous airflow
- Optimized for comfortable use during extended meetings

Lighting & Power

- Integrated LED ceiling light for even illumination
- Power module (standard):
1x International power socket + 1x USB Charger A+C (30W)

Acoustic Performance

- Acoustic wall panels improve speech clarity for meetings and calls
- Suitable for use in open offices, co-working spaces, and collaborative zones



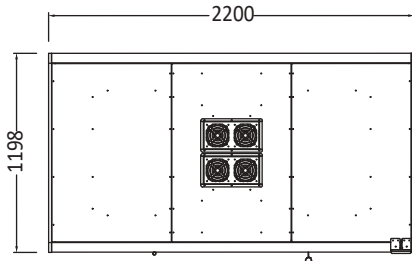
Meeting Table

- Rounded corners for safety and comfort

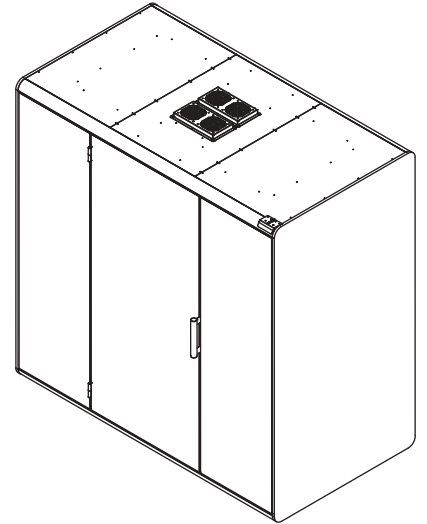
Bench Seating / Sofa

- High-density foam for long-duration comfort
- Upholstered surfaces help reduce internal sound reflection

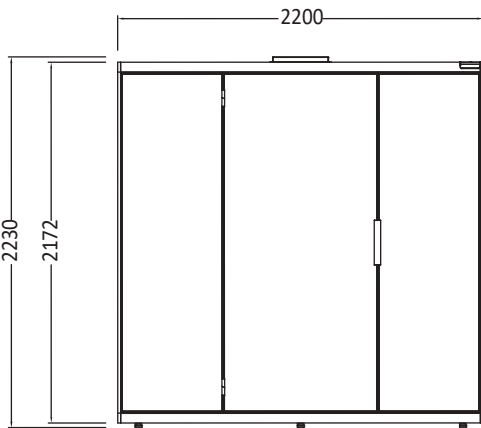
DIMENSIONS



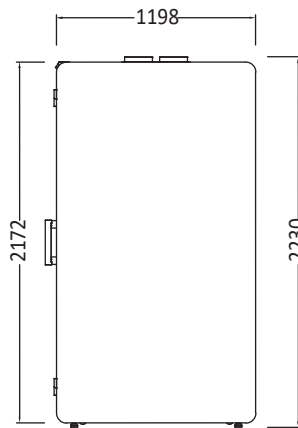
Top View



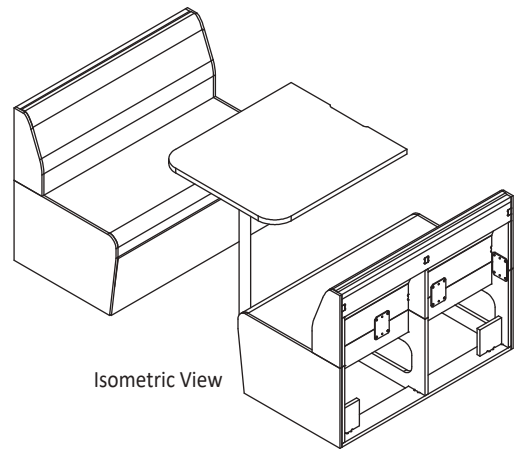
Isometric View



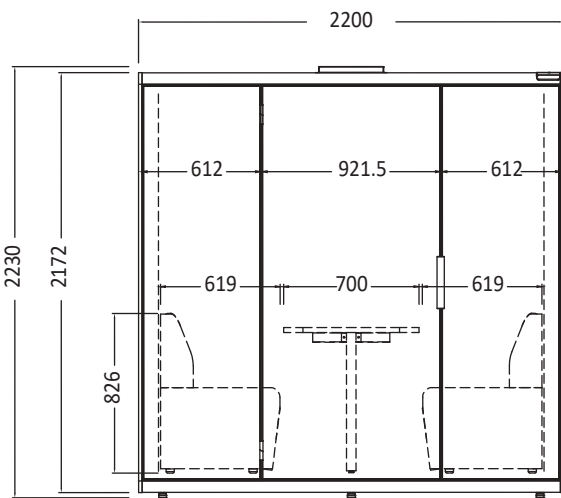
Front View



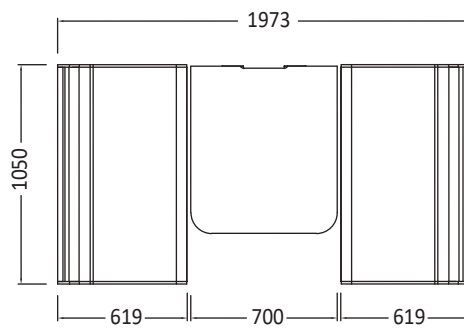
Side View



Isometric View



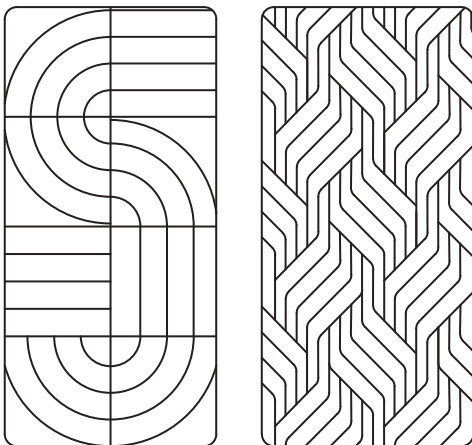
Front View



Top View



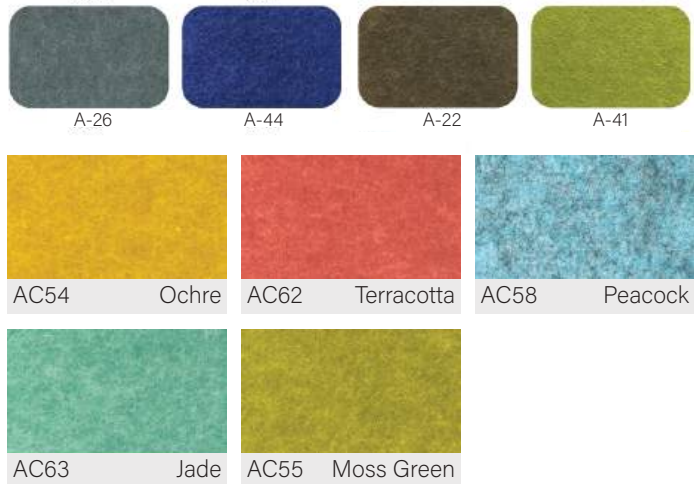
PET Pattern Design



Custom designs available.
Please check with us for details

Made from recycled PET acoustic material

PET OPTIONS



Our PET is certified:

